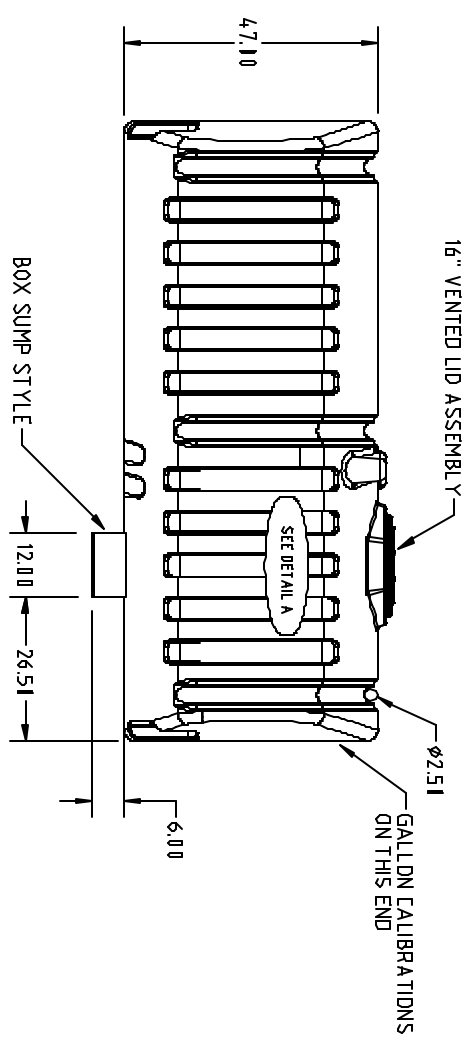
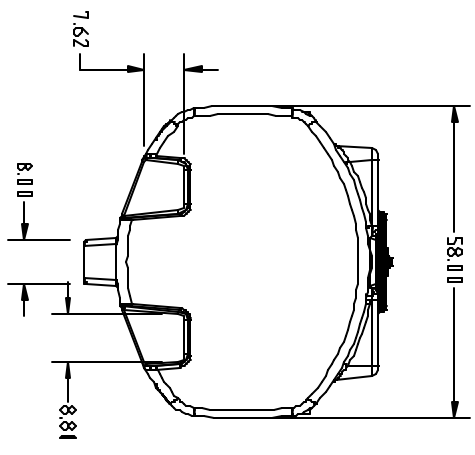
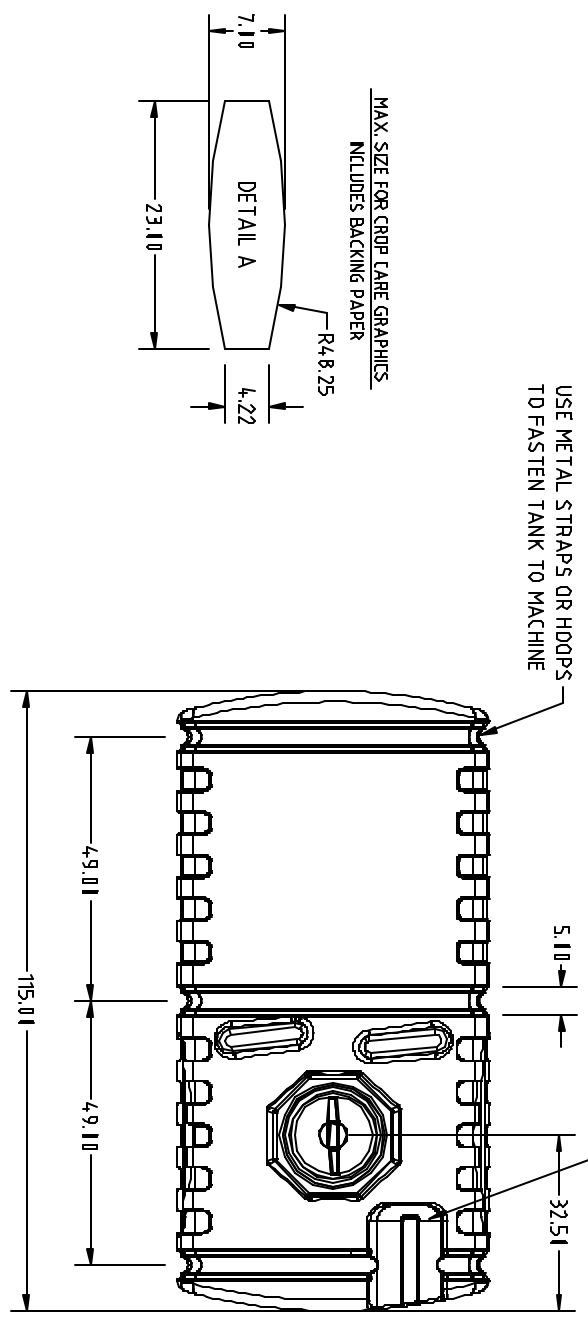


CC1000-58B

A

USE METAL STRAPS OR HOOPS TO FASTEN TANK TO MACHINE

5 GALLON RINSE TANK POCKET



		DRAWN / DATE	REH/4/12/02
A	RELEASED	APPRD. / DATE	REH/4/12/02
REV	DESCRIPTION	DATE	APPRD

MATERIAL:  
306 LB. MDPE

**ACE ROTO-MOLD**  
A DIVISION OF DEN HARTOG INDUSTRIES, INC.  
4010 HWY. 60 BLVD., BOX 425 HOSPIERS, IOWA 51238

CLIENT / DESCRIPTION  
1000 GALLON CROP CARE TANK - BOX SUMP

ALL DIMENSIONS ARE IN DECIMAL INCHES  
TOLERANCES UNLESS OTHERWISE SPECIFIED  
± 1% @ 68° F

NOTES:  
1. AVAILABLE IN NATURAL OR YELLOW COLOR.  
2. NOM. WALL = .320

SCALE N.S.

PART NO. CC1000-58B

