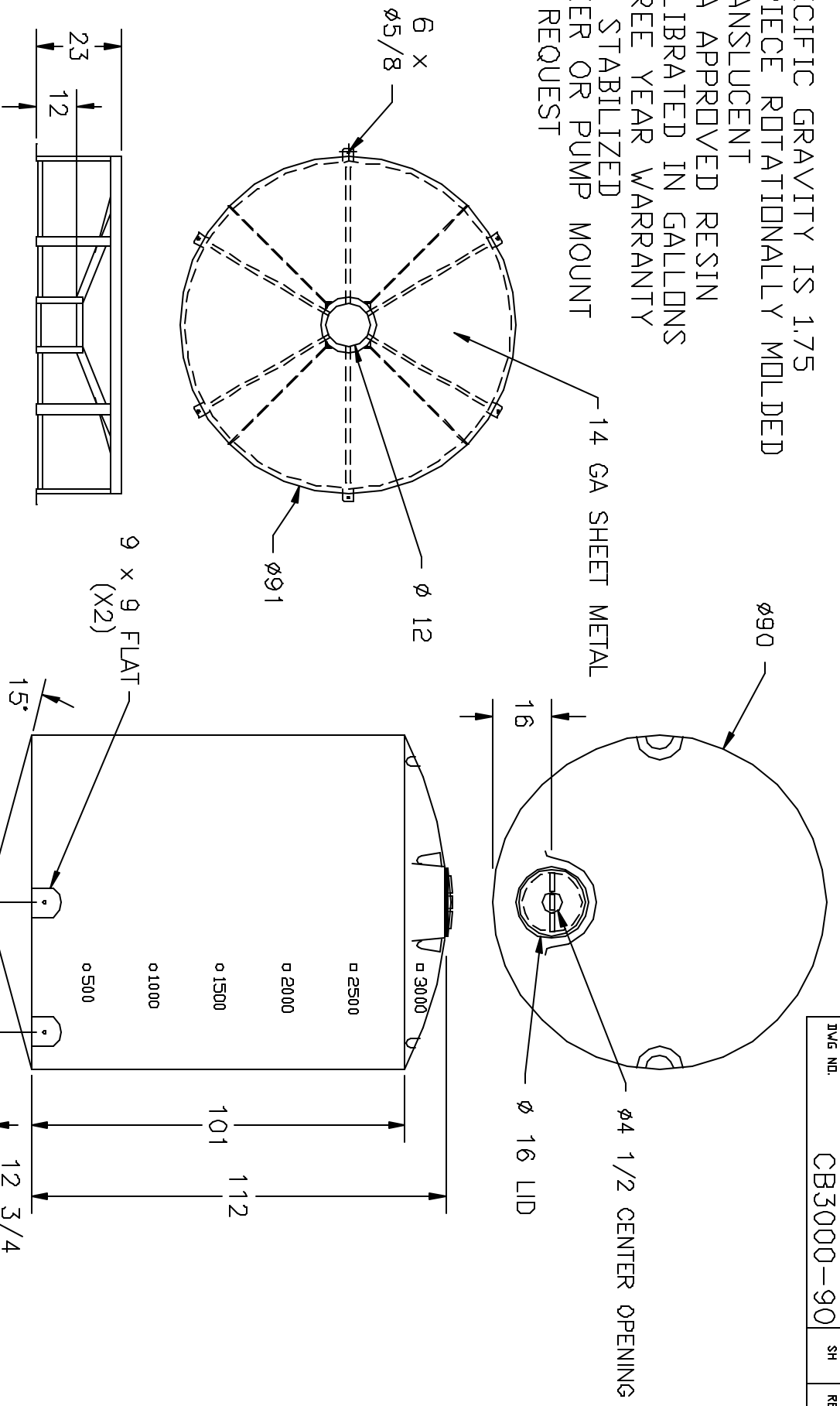


1. SPECIFIC GRAVITY IS 1.75
2. 1 PIECE ROTATIONALLY MOLDED
3. TRANSLUCENT
4. FDA APPROVED RESIN
5. CALIBRATED IN GALLONS
6. THREE YEAR WARRANTY
7. UV STABILIZED
8. MIXER OR PUMP MOUNT ON REQUEST



STAND PART NO. CB3000-ST

REV		DESCRIPTION	DATE	AP/VD	DRAWN	DATE	MATERIAL	PART WEIGHT	SIZE	DWG. NO.	REV	
SCALE		NONE			THIRD ANGLE PROJECTION	EVAN	9-13-94	POLYETHYLENE	550 LBS.	A	CB3000-90	
UDS DIMENSIONS ARE IN INCHES GENERAL TOLERANCES +.5% @ 68° F												
<h1>ACE ROTO-MOLD</h1>												