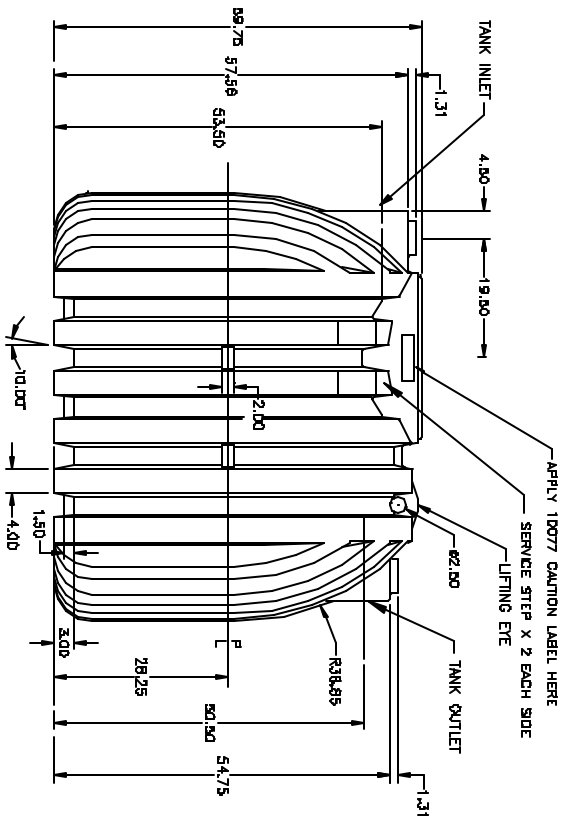
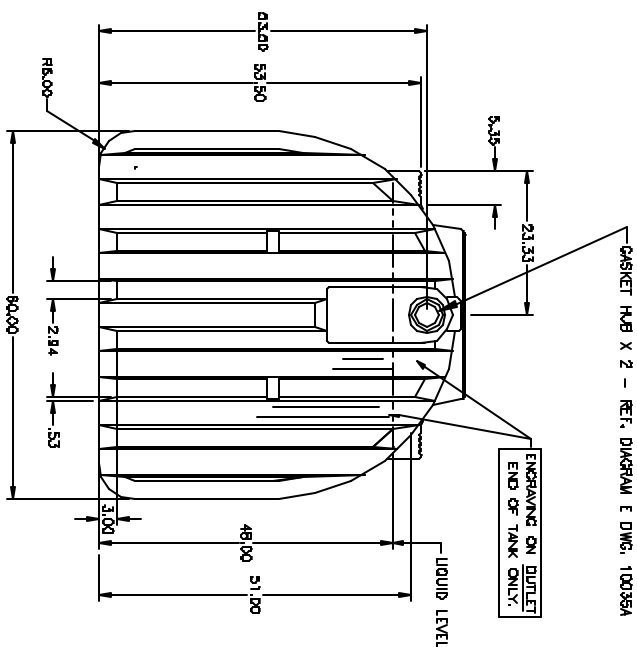
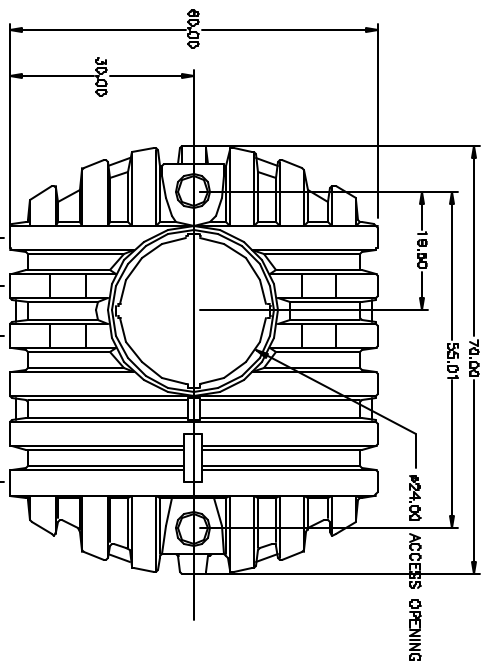


PROPRIETARY DATA

PROPERTY OF ACEROTO-MOLD MFG., INC. INFORMATION FURNISHED HEREIN IS THE PROPERTY OF ACEROTO-MOLD MFG., INC. AND SHALL NOT BE USED, DISCLOSED TO OTHERS, OR COPIED WITHOUT THE EXPRESSED WRITTEN CONSENT OF ACEROTO-MOLD MFG., INC. ALL RIGHTS RESERVED.

10066



REV	DESCRIPTION	DATE	APPRD

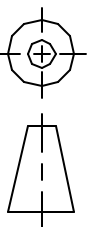
DRAWN / DATE

REH / 9/24/98

APPRD. / DATE

REH / 9/24/98

THIRD ANGLE PROJECTION  
ANSI 14.5M



MATERIAL

MOBIL 111 HDPE OR EQUIVALENT  
REFERENCE MATERIAL DATA SHEET  
FOR SPECIFIC PROPERTIES.

NOTES:

1. NOM. WALL  $\varnothing$  .250
2. YELLOW COLOR
3. SHOT WEIGHT 235 LBS.

**ACEROTO-MOLD MFG.**

4018 HWY. 60 BLD., BOX 421, HOSPERS, IOWA 51238

CLIENT / DESCRIPTION

750 GAL. SINGLE  
COMPARTMENT SEPTIC TANK

SCALE

N.S.

PART NO.

AST-750-1

ALL DIMENSIONS ARE IN DECIMAL INCHES  
TOLERANCES UNLESS OTHERWISE SPECIFIED

$\pm$  1%  $\varnothing$  98° F