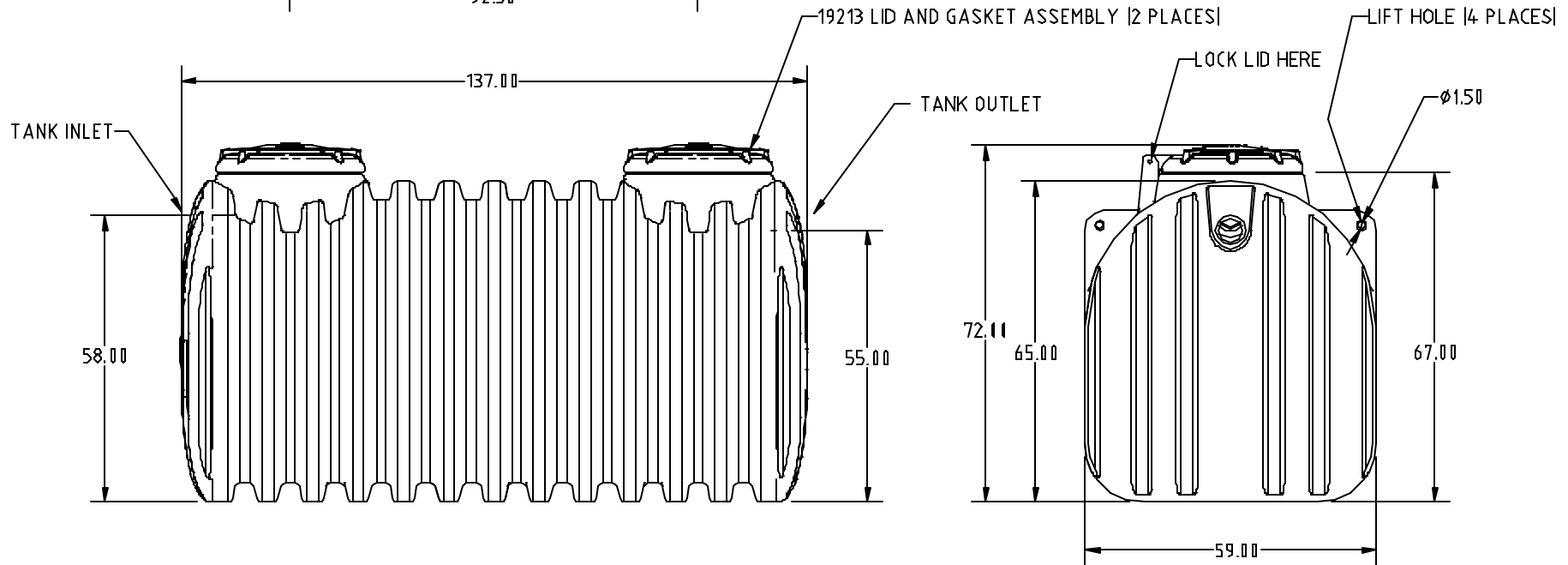

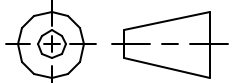


**DEN HARTOG INDUSTRIES, INC.**  
 Copyright. All information furnished within this document, electronic file or design correspondence is the property of Den Hartog Industries, Inc. and shall not be used, disclosed to others or copied without the expressed written consent of Den Hartog Industries, Inc.



		DRAWN / DATE REH / 3/15/14		MATERIAL		 <b>Ace Roto-Mold</b> A DIVISION OF DEN HARTOG INDUSTRIES, INC.	
		APPRD. / DATE REH / 3/15/14		EXXON HD8661 HOPE OR EQUIVALENT REFERENCE MATERIAL DATA SHEET FOR SPECIFIC PROPERTIES.			
REV	DESCRIPTION	DATE	APPRD	THIRD ANGLE PROJECTION ANSI 14.5M		CLIENT / DESCRIPTION 1700 GALLON CISTERN TANK	
ALL DIMENSIONS ARE IN DECIMAL INCHES TOLERANCES UNLESS OTHERWISE SPECIFIED ± 1% @ 68° F						SCALE N.S.	
				NOTES: 1. MIN. WALL @ .251 2. NATURAL COLOR 3. SHOT WEIGHT 511 LBS.		PART NO. AST-1700-1W	