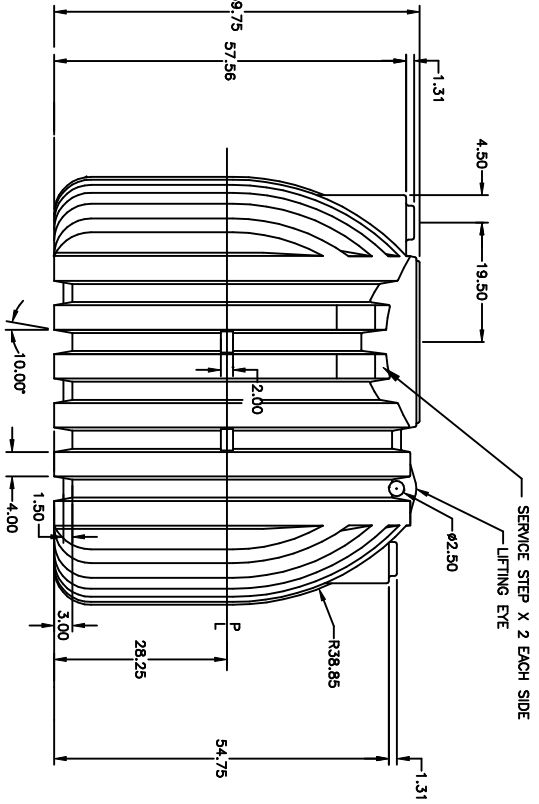
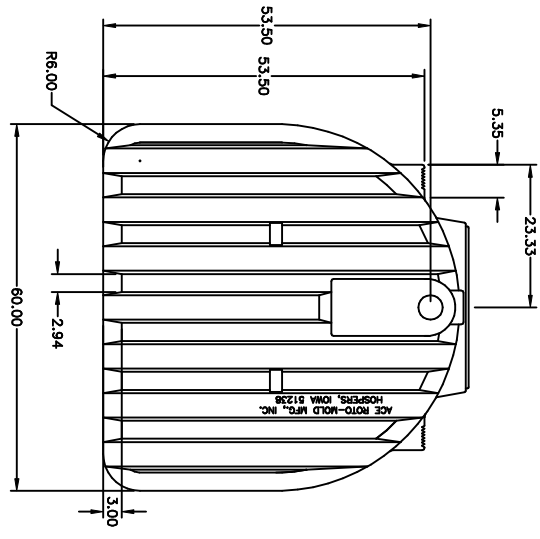
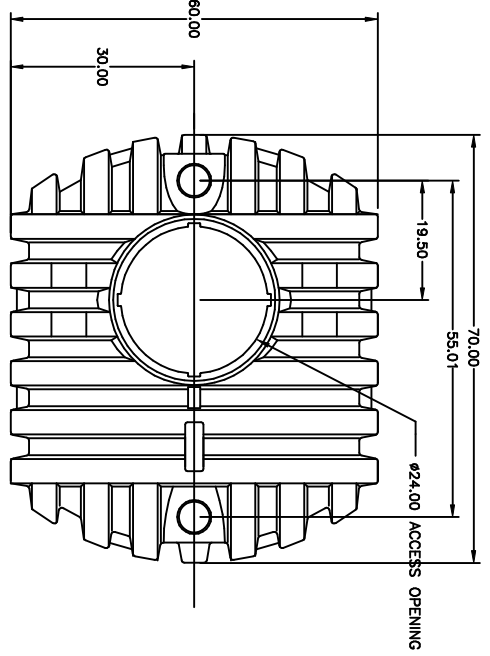


PROPRIETARY DATA

PROPERTY OF ACEROTO-MOLD MFG., INC. INFORMATION FURNISHED HEREIN IS THE PROPERTY OF ACEROTO-MOLD MFG., INC. AND SHALL NOT BE USED, DISCLOSED TO OTHERS, OR COPIED WITHOUT THE EXPRESSED WRITTEN CONSENT OF ACEROTO-MOLD MFG., INC. ALL RIGHTS RESERVED.

AST-850-1



REV	DESCRIPTION	DATE	APPRD	DRAWN / DATE
				DHU / 6/10/04

MATERIAL
 EXON MOBIL 8861 HDPE
 REFERENCE MATERIAL DATA SHEET
 FOR SPECIFIC PROPERTIES.

ACEROTO-MOLD MFG.
 4018 HWY. 60 BLVD., BOX 421, HOSPERS, IOWA 51238

ALL DIMENSIONS ARE IN DECIMAL INCHES
 TOLERANCES UNLESS OTHERWISE SPECIFIED
 + 1% @ 68° F

NOTES:
 1. NOM. WALL @ .250
 2. NATURAL COLOR
 3. SHOT WEIGHT 235 LBS.

CLIENT / DESCRIPTION
 850 GAL. SINGLE
 COMPARTMENT CISTERN TANK

SCALE
 N.S.

PART NO.
 AST-850-1

